

## BN180SY

REPLACES: 24.01.18  
REVISED: 11.03.19

### FITTING INSTRUCTIONS

#### NISSAN PATHFINDER 03/17on BIG TUBE PROTECTION BAR VEHICLE FRONTAL PROTECTION SYSTEM (VFPS) FOR AIR BAG & ADR COMPLIANT VEHICLES

Check installation hardware before commencing.

1. Lift bonnet.
2. Remove radiator cover, 13 push pull plastic clips.
3. Gently pull grille forward at top corners to release clips on sides of headlights. **See figure 1.** Disconnect camera in bottom of badge (if fitted). Starting on outer corners, press up on centre of lower clips whilst gently pulling grille forward to remove. **See figure 2.**
4. Under front of vehicle, remove four push pull plastic clips from front of under body guard, one push pull plastic clips (per side) from underbelly guard to inner guard and three PK screws (per side) from front of inner guard to bumper.
5. Under wheel arch, remove three PK screws (per side) from inner guard to bumper cover. Pull inner guards rearward away from bumper.
6. Disconnect fog lights from connector on radiator support. Caution: If disconnecting wiring from lights, wiring remains connected to rear of light housing. **See figure 3 and 4.**
7. Where rear of guard and bumper cover meet, remove one 10mm head bolt (per side). Gently pull bumper cover sideways to release plastic holding clips and forward to release clips from under headlights. Once both sides are released, remove four push pull plastic clips from centre of bumper cover. Remove bumper cover.
8. Remove polypropylene infill from front of alloy bumper support.
9. Remove the sonar unit from the bumper support and retain for re-fitting. Retain the fasteners.
10. Remove four 13mm head nuts (per side) from front of bumper support to chassis rails. Remove support.
11. Clamp ECB steel mounting brackets (supplied) to rear of bumper support. Align holes in ECB mounting brackets centrally to holes in alloy bumper support. **See figure 7.** Check measure out to out on mounts of alloy protection bar to in to in measurement on ECB steel mounting brackets. Using ECB steel mounting brackets as a guide, drill inner holes in bumper support to 10mm. **Blow filings clear and treat all exposed metal with a rust inhibitor.** Install M10 x 1.5 x 30 bolts and washer on wire, flat washers, spring washers and nuts (supplied) into drilled holes on bumper support. **Do not tighten bolts** in bottom at this stage.
12. Refit bumper support back to vehicle using original equipment nuts. **See figure 8. Tighten all bolts.**
13. Remove one 13mm head bolt from lower inner corner of crash can to radiator support. **See figure 9.** Install ECB steel mount support (supplied) to front of chassis rail with 6mm alloy washer between lower section of ECB mount support and chassis rail using one M8 x 35 bolts, spring washer and flat washer for top bolt and M8 x 35

bolt, flat washer, 6mm alloy spacer washer, spring washers and nut (supplied) for lower hole. Do not tighten at this stage.

14. Install M10 x 35 bolt, flat washers, spring washers and nut (supplied) to front hole of ECB mount support to ECB steel mounting bracket. **Finger tighten only**. Tighten bolts to chassis rail, then tighten bolt from ECB mount support to ECB steel mounting bracket. **Tighten all bolts**. Fit nuts to rear of top bolt. This will stop bolt from undoing from captive nut. Tighten nuts.
15. Cut bumper cover to allow mounts to protrude. **See figure 10**.
16. Carefully cut and the sonar wiring above the plug and extend the wires using the wire and joiners supplied.
17. Remove the camera from the grill, carefully cut the wiring above the plug and extend the wires using the wire and joiners supplied.
18. Mount the camera into the protection bar channel using two self-drilling screws.
19. Fit the sonar unit onto the sonar mount (supplied) using two M6 x 20 x 1.0 bolts, flat washers and nyloc nuts (supplied). Fasten the Perspex protection cover to the sonar mount using three M6 x 20 x 1.0 bolts, flat washers and nyloc nuts (supplied).
20. Place the sonar assembly into the protection bar channel and fasten using three M6 x 25 x 1.0 bolts, flat washers, and nyloc nuts (supplied).
21. Splice ECB wiring harness into wiring harness behind headlight using cable locks (supplied). Ensure harness is clear of sharp edges and moving parts.
22. Connect ECB Quick Click fog light wiring harness (supplied) into original wiring harness.
23. From rear of bumper cover, remove fog lights and associated trims.
24. Refit bumper cover as per reverse of steps 2 to 7. Do not install centre under body guard at this stage.
25. Fit ECB LED indicator / park lights into protection bar as per instructions supplied with the LED indicator kit. **NOTE: Ensure park light is to outside. See figure 11.**
26. Attach ECB fog lights to protection bar. Place M6 x 20 bolts, spring washers (supplied) through light mount from inside and attach nut to top. Slide assembly into light mount in Protection bar and centralize light to hole. **TIGHTEN FIRM ONLY. See figure 12.**
27. Attach 6mm clip lock trim (supplied) to top of ECB protection bar. **NOTE: Trim off lower edge on an angle so trim will sit flush with end of protection bar. See figures 13, 14 and 15.**
28. Attach 3mm clip lock trim (supplied) to tow hook opening of ECB protection bar. **NOTE: Trim off lower edge on an angle so trim will sit flush protection bar. See figures 16.**
29. Attach 6mm clip lock trim (supplied) to sonar opening in the skirt of ECB protection bar. Also attach this trim to cut out on opposite side. **NOTE: Trim off lower edge on an angle so trim will sit flush protection bar.**

30. Attach protection bar to steel mounting brackets, connect the sonar and camera wiring harnesses, using 3 M12 x 40 x 1.75 bolts, flat washers, spring washers and nuts (supplied) (per side). **NOTE:** Rear bolts are accessible from underside of bumper. Place all bolts with head from inside to allow easier tightening. **FINGER TIGHTEN ONLY.**
31. Align bulbar to vehicle. **See figures 17 and 18. TIGHTEN ALL BOLTS.**
32. Connect and test indicator, park lights, fog lights and sonar unit.

#### **ENSURE NUMBER PLATE IS CLEARLY VISABLE**

**Note:** When fitting/refitting the licence plate to the vehicle, ensure there is no obstruction to licence plate vision in accordance with local authorities. If required relocate licence plate to an alternate location.

#### **Further VFPS Notes:**

- a) Do not attach VFPS to the vehicle using anchorages not intended for this purpose (e.g. engine mounting bolts).
- b) Do not use this product for any vehicle make or model, other than those specified by the VFPS manufacturer.
- c) Do not remove the plaque or label from the VFPS.
- d) Do not modify the structure of the VFPS in any way.
- e) No accessory or fitment should project forward of the VFPS forward profile.
- f) **ENSURE THESE INSTRUCTIONS ARE LEFT WITH VEHICLE OWNER AND/OR OPERATOR.**

#### **IMPORTANT INFORMATION**

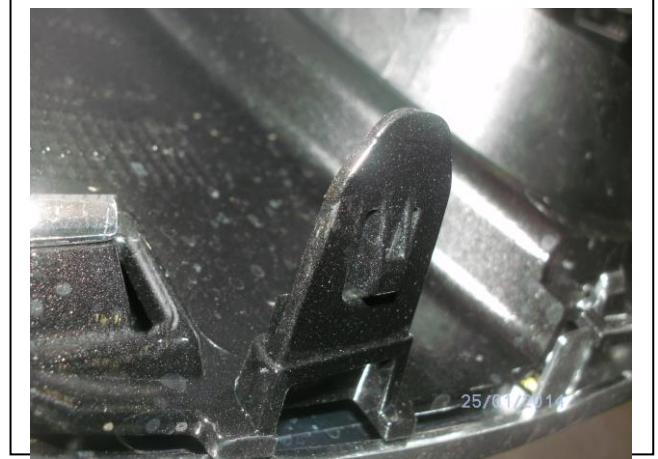
Periodically check bolts and nuts for correct tightness, especially if travelling on rough roads.

#### **FITTING KIT**

1 – Pair ECB steel mounts	6 – 5/16 x 1 ¼ flat washers
1 – Pair ECB steel mount supports	7 – M6 x 20mm bolts
1 – Sonar mount	3 – M6 x 25mm bolts
1 – Perspex protection cover	16 – M6 flat washers
2 – 40 x 11 x 6 alloy half washers	2 – M6 spring washers
6 – M12 x 1.75 x 40mm bolts	8 – M6 nyloc nuts
12 – M12 flat washers	2 – M6 nuts
6 – M12 spring washers	1 – ECB LED Indicator / Park light kit (ICLED105ECB)
6 – M12 x 1.75 nuts	8 – Cable locks
2 – M10 x 1.5 x 35mm bolts	1 – ECB fog light kit
4 – M10 x 1.5 x 30mm bolts and washer on 300mm wire	1 – ECB Quick Click harness (IC10D40S1004ECBH)
8 – M10 flat washers	2 – Fog light surrounds
6 – M10 spring washers	1 – 2400mm length 6mm clip lock trim
6 – M10 x 1.5 nuts	2 – 250mm lengths 3mm clip lock trim
4 – M8 x 1.5 x 35mm bolts	2 – 330mm lengths 6mm clip lock trim
4 – M8 spring washers	10 – Single core wire – 400mm long
4 – M8 x 1.5 nuts	20 – Solder joiners



**Figure 1:** Grille showing placement of top head light mount.



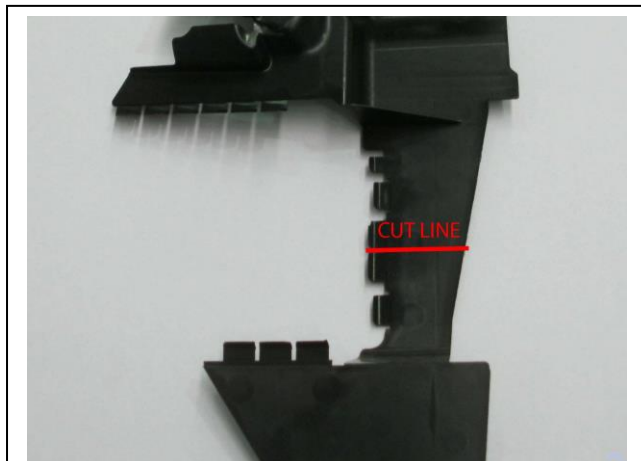
**Figure 2:** Close-up of lower grille mount.



**Figure 3:** Recommended fog light disconnection point, drivers side.



**Figure 4:** Recommended fog light disconnection point, passengers side.



**Figure 5:** Cut line for driver side air dam



**Figure 6:** Cut line for passenger side air dam



**Figure 7:** Clamp and drill inner holes in mount. Holes to drill circled.



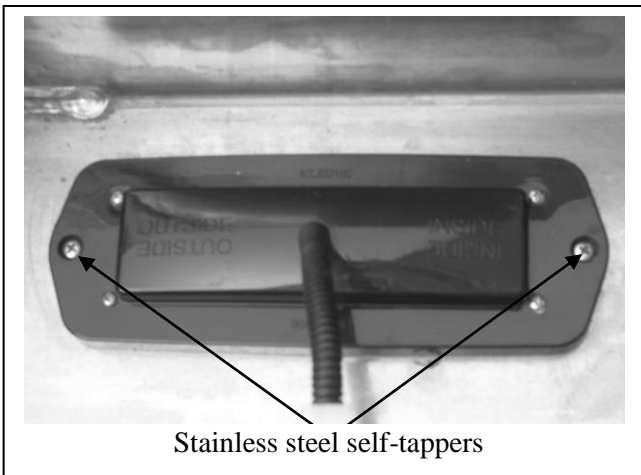
**Figure 8:** bumper support and mount fitted to vehicle.



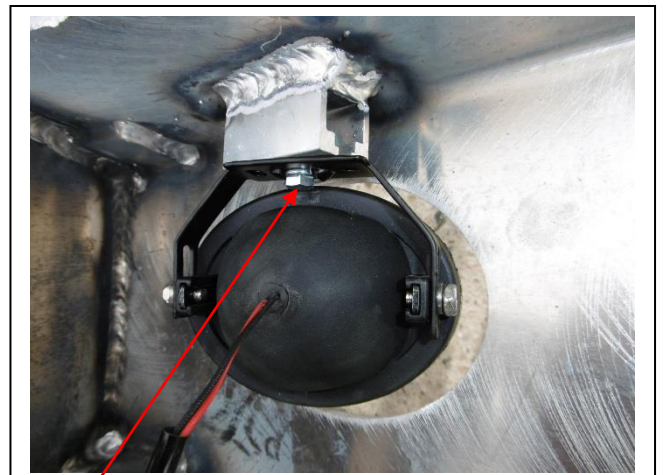
**Figure 9:** Lower mount support installed.



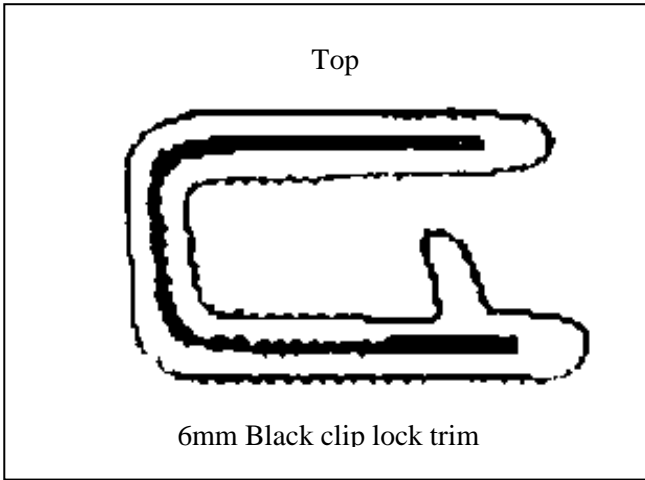
**Figure 10:** Bumper cut to allow mount protrusion



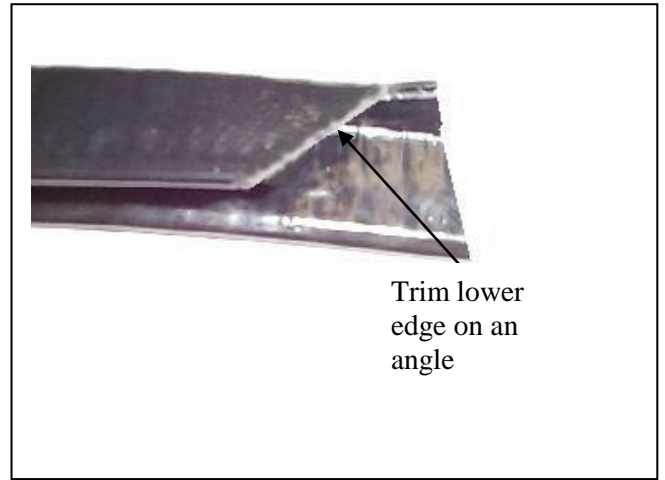
**Figure 11**



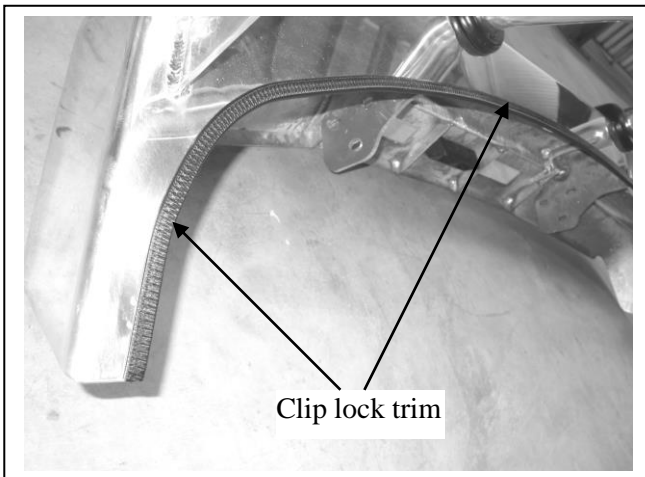
**Figure 12**



**Figure 13**



**Figure 14**



**Figure 15**



**Figure 16: Clip lock trim in tow point opening**



**Figure 17**



**Figure 18**



**Lighter  
Stronger  
Better!**

A: 29 Snook St Clontarf QLD 4019  
A: PO Box 122 Margate QLD 4019  
P: 07 3897 5700  
F: 07 3283 1168  
E: info@ecb.com.au  
W: ecb.com.au  
W: customalloy.com.au



## We value your comments

Dear Fitter,

ECB would like to know how you went with the installation of this product. We value your comment and may need to contact you to clarify some details so please complete your contact details clearly.

We would appreciate if you could complete as many of the following details as possible.

<b>Your Name:</b>	<b>Your contact No.</b>
<b>Product Part No.</b>	<b>Product Invoice No.</b>
<b>Product Description:</b>	<b>Make, model, and year of vehicle:</b>
<b>Product Work Order No.</b>	<b>Company your from/Company product purchased from:</b>

**Date of Fitment:** \_\_\_\_/\_\_\_\_/\_\_\_\_

Was the fitting hardware supplied complete?      Yes      No  
     

If no what was not supplied

---

---

Did the installation go well?      Yes      No  
     

Please provide comments

---

---

---

Please draw diagrams if you need to.

**Post to**  
Reply Paid 122  
PO Box 122  
Margate QLD 4019

**Fax to**  
(07) 3283 1168



**Lighter  
Stronger  
Better!**

A: 29 Snook St Clontarf QLD 4019  
A: PO Box 122 Margate QLD 4019  
P: 07 3897 5700  
F: 07 3283 1168  
E: [info@ecb.com.au](mailto:info@ecb.com.au)  
W: [ecb.com.au](http://ecb.com.au)  
W: [customalloy.com.au](http://customalloy.com.au)





## DESPATCH CHECKLIST BN180SY

Work Order #		<b>See other side of this page for photos of all mounts</b>
Finish:		
Transport:		
Due Date:		

- OC.....1 – Pair Steel mounting brackets.
- OC.....1 – Pair Steel mount support.
- OC.....1 – Sonar mount.
- OC.....2 – ECB Overrides
- OC.....4 – 6mm Air Vents –
- WR.....1 – Pair Steel mounting brackets - **Fitted to Bar**
- WR.....1 – Pair Steel mount support - **Fitted to Bar.**
- WR.....1 – Sonar mount - **Fitted to Bar.**
- WR.....2 – ECB Overrides – **Fitted to Bar**
- WR.....4 – 6mm Air Vents – **Fitted to Bar. Top vents to be fitted upside down**

\_\_\_\_\_/\_\_\_\_\_  
Wrapper's initials / Checker initials



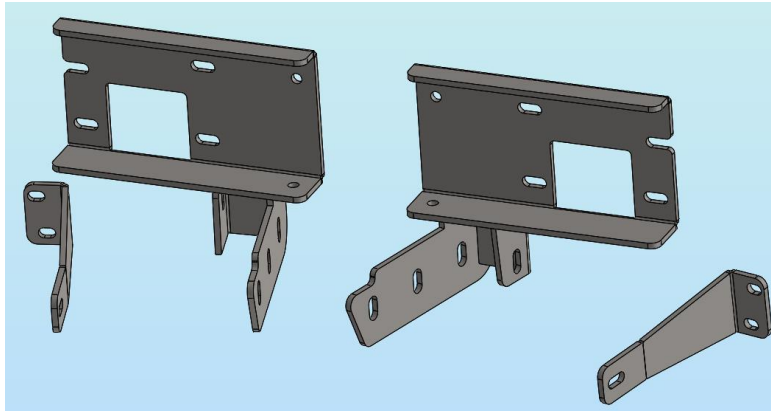
**Is this product “the best it can be” Yes**  
If **NO** fix before continuing

All parts checked and completed by:

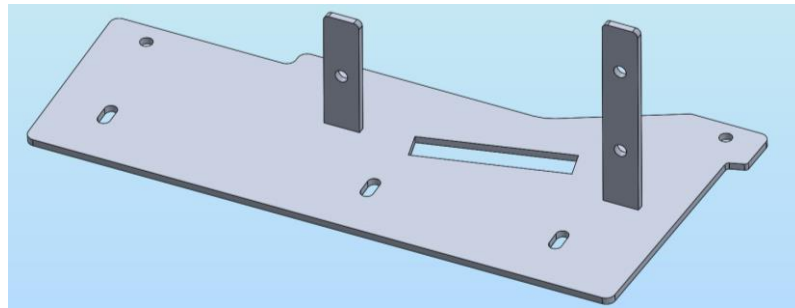
Nut and bolts: \_\_\_\_\_ Date \_\_/\_\_/\_\_

Order control: \_\_\_\_\_ Date \_\_/\_\_/\_\_

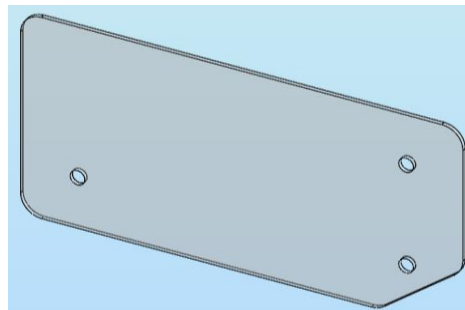
Final wrap check: \_\_\_\_\_ Date \_\_/\_\_/\_\_  
Bull bar assembly



Chassis mounts



Sonar mount assembly



Perspex protection cover (NBF160SY\_A2PL)

\_\_\_\_\_/\_\_\_\_\_  
 Wrapper's initials / Checker initials